

# Temperature Controllers

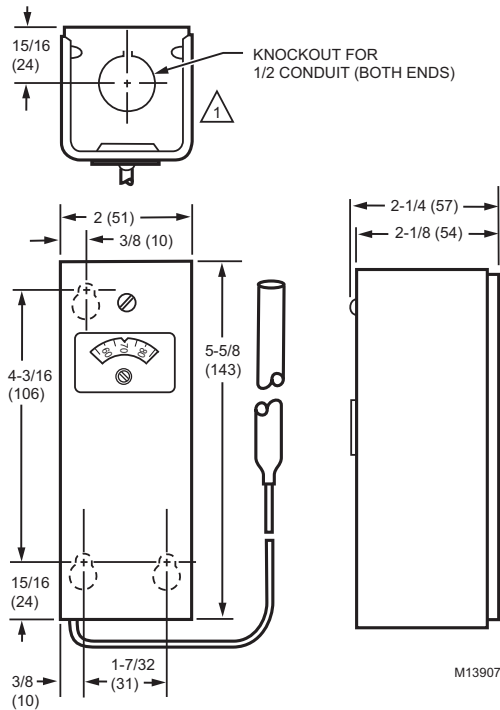
## T678C,E,F Changeover Temperature Controller



Remote bulb thermostats regulate temperature of air or liquids in ducts, pipes, tanks and boilers.

- Suitable for applications requiring temperature control of air or liquids where controller must be placed outside the sensing area
- Typical uses include control of dampers and valves in heating, cooling and heating-cooling systems
- Fast response models (available for use in return air duct) operate approximately four times faster than standard models
- Controller can be mounted in any position. Ambient temperature compensation provides good temperature control
- Refer to T775 Electronic Remote Temperature Controller where more exact control is required and/or remote controller location is preferred
- T678 models have a maximum connected load of 2000 VA

### Dimensions in inches (millimeters)



**Type:** Remote bulb

**Application:** Changeover temperature control

**Sensor Element:** Copper bulb

**Contact Ratings (120 Vac):** 8.0 AFL, 48.0 ALR

**Contact Ratings (240 Vac):** 5.1 AFL, 30.6 ALR

**Voltage:** 120 Vac or 240 Vac

**Frequency:** 50 Hz; 60 Hz

**Number of Sensor Inputs:** 1

**Output:** 2 SPDT switch contacts

**Output Type:** Relay

**Contact Ratings (120 Vac):**

T678C, T678F: 8.0 AFL, 48.0 ALR

T678E: Control: 2.6 AFL, 15.6 ALR; Hi Limit: 7.4 AFL, 44.4 ALR

**Contact Ratings (240 Vac):**

T678C, T678F: 5.1 AFL, 30.6 ALR

T678E: Control: 1.3 AFL, 7.8 ALR; Hi Limit: 5.1 AFL, 30.6 ALR

Product Number	Maximum Operating Temperature		Setpoint Temperature Range		Differential Temperature		Bulb Size		Capillary Length		Interstage Differential Temperature		Comments
	(F)	(C)	(F)	(C)	(F)	(C)	(inch)	(mm)	(ft)	(m)	(F)	(C)	
T678C1005/U	205 F	96 C	55 F to 85 F	13 C to 29 C	5 F	2.8 C	3/8 in. x 3 in.	10 mm x 76 mm	5 1/2 ft	1.7 m	—	—	—
T678E1003/U	210 F	99 C	40 F to 180 F	4 C to 82 C	2 F	1.1 C	1/8 in. x 42 in.	3 mm x 1064 m	17 ft	5.2 m	7 F	3.9 C	Does not include enclosure
T678F1002/U	130 F	54 C	55 F to 85 F	13 C to 29 C	2 F	1.1 C	5/16 in. x 11 11/16 in.	8 mm x 297 mm	5 1/2 ft	1.7 m	—	—	—